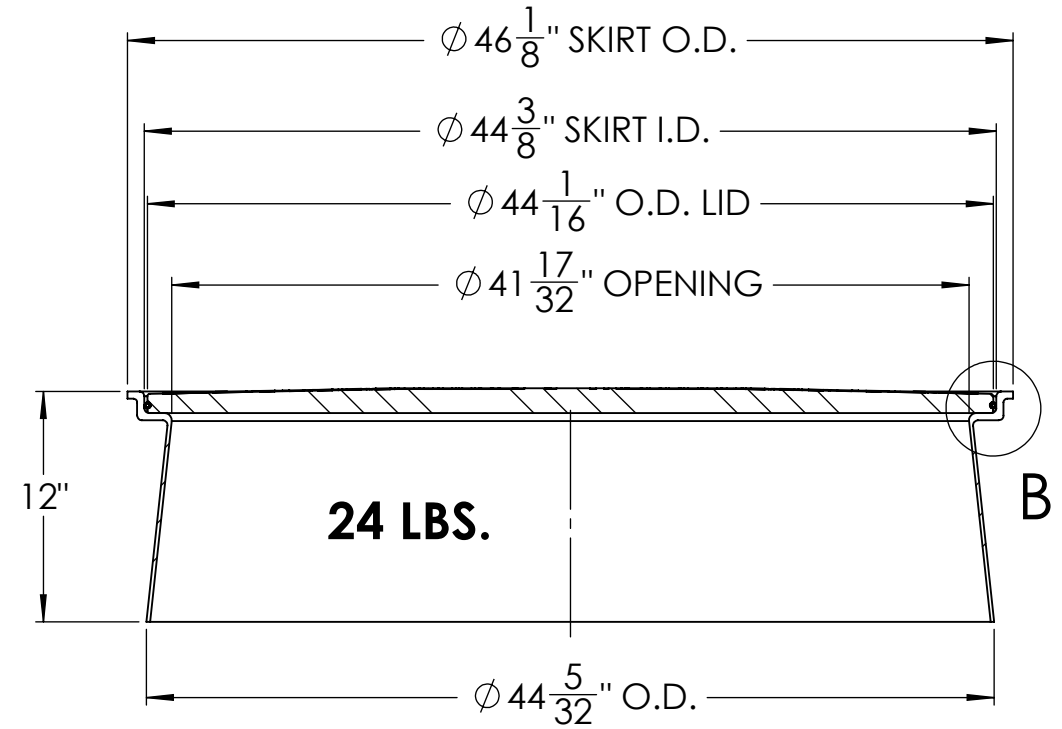
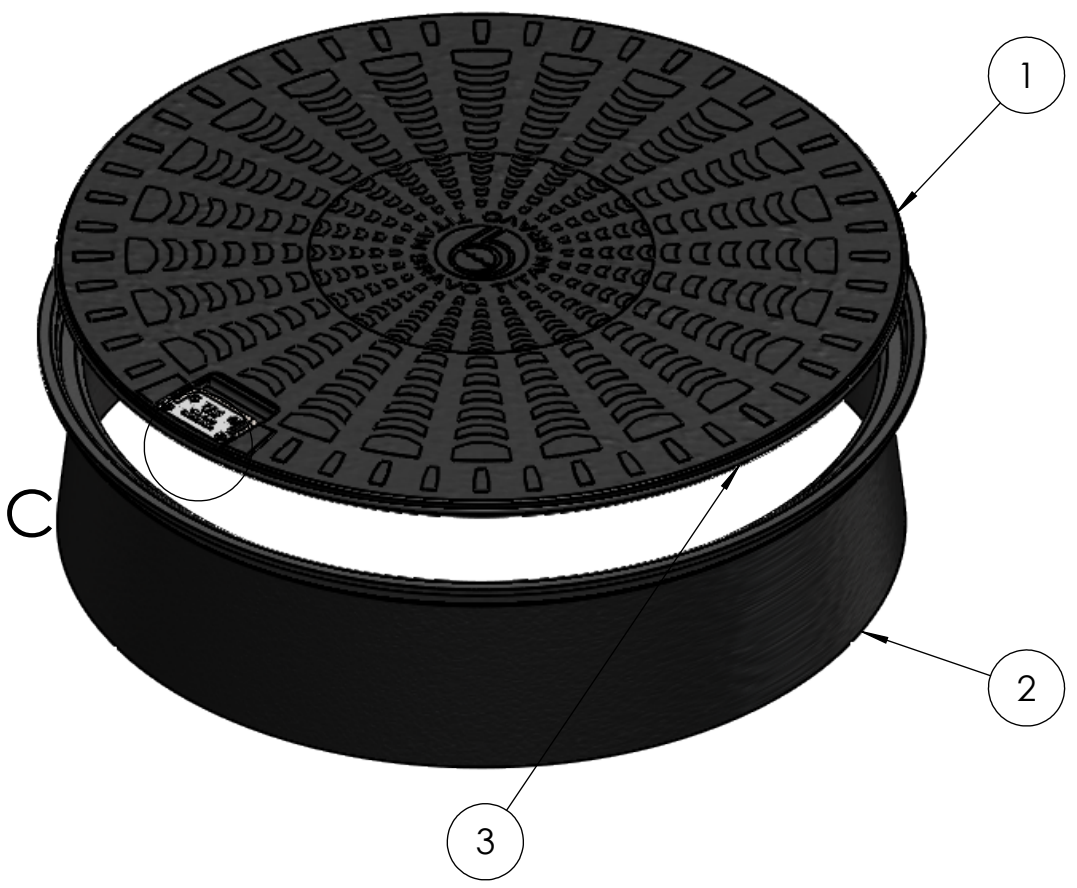
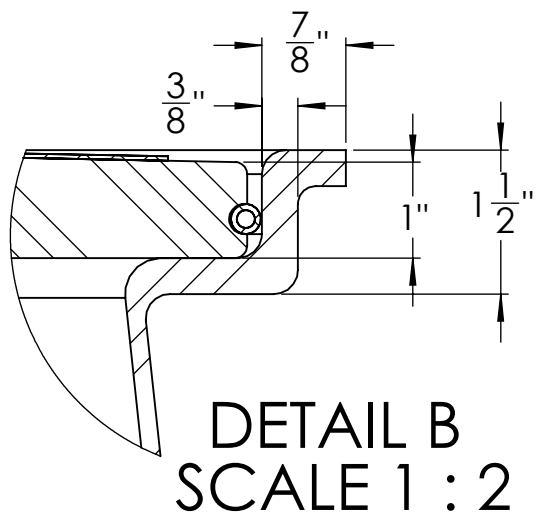
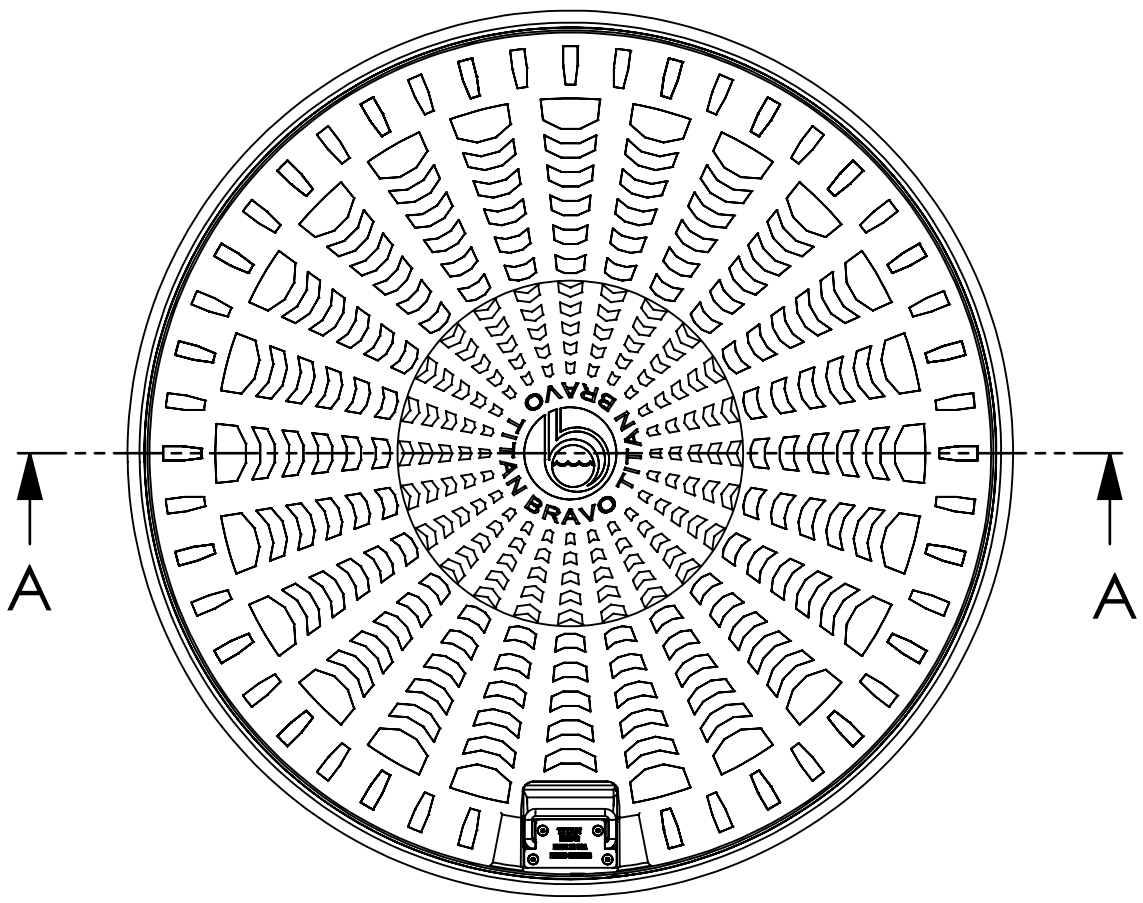


ITEM NO.	PART NUMBER	DESCRIPTION	WEIGHT	QTY
1	MWO-42-LID-ASSY	MWO-42-LID SUBASSY		1
2	MW-42-SKIRT	MW-42-SKIRT-12T	23.48	1
3	Z-MW-42-O'RING	MANWAY COVER O-RING		1
<b>LOOSE ITEMS</b>				
4	OR-GREASE	OR GREASE		1



DETAIL C  
SCALE 1 : 2

SECTION A-A

UNLESS OTHERWISE SPECIFIED: DIMENSIONS ARE IN INCHES TOLERANCES: FRACTIONAL ±	<b>REV: A</b>	NAME	DATE	
	DRAWN	JMP	03/13	
MATERIAL	AS NOTED	<b>NOTES:</b>		<b>DESCRIPTION :</b> <b>M1WT42-12</b> <b>OLD PART NO.</b> <b>(MWO42)</b>
FINISH	AS NOTED	COMMENT		
<small>PROPRIETARY AND CONFIDENTIAL</small> <small>THE INFORMATION CONTAINED IN THIS DRAWING IS THE SOLE PROPERTY OF S.BRAVO SYSTEMS INC. ANY REPRODUCTION IN PART OR AS A WHOLE WITHOUT THE WRITTEN PERMISSION OF S. BRAVO SYSTEMS INC. IS PROHIBITED.</small>				<b>PART NO. :</b> <b>M1WT42-12</b>
DO NOT SCALE DRAWING				<b>SIZE</b> <b>B</b>
				SHEET 1 OF 1