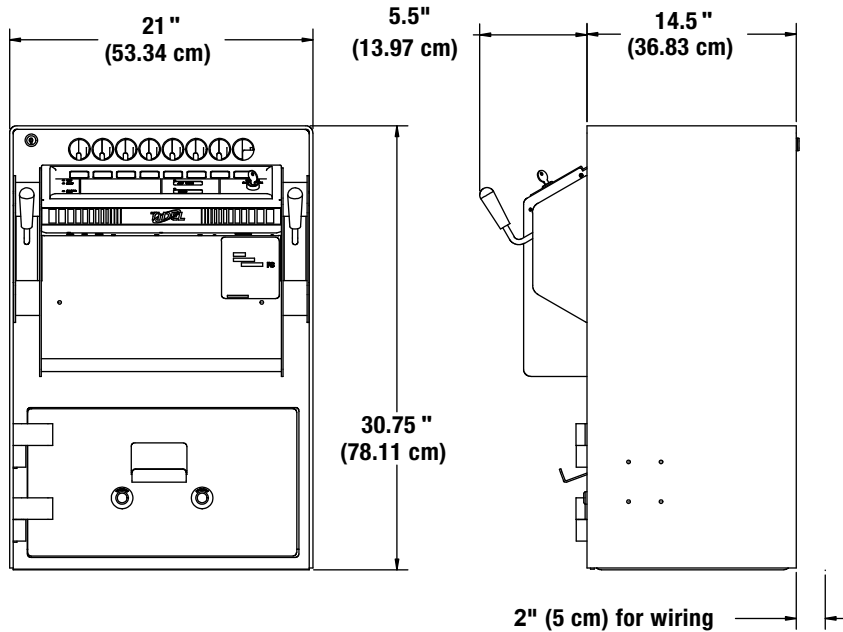


# TAC C I I A



# T A C C I I A

Since its introduction in 1978, the TACC (Timed Access Cash Controller) from Tidel has become the standard for deterring robbery and improving cash handling processes for retail locations in over 50 countries worldwide. The industry-leading TACC Ila continues that legacy today by providing a simple, user-friendly interface, easy-to-use cash dispensing, receipt drop operations, and high reliability, all in a cost effective solution. The TACC Ila minimizes everyday accounting burdens, allowing your managers and employees to spend more time with customers and less time managing money.



## SPECIFICATIONS:

- Weight:** 290 lbs. (132 kg)
- Height:** 30.75" (781 mm)
- Width:** 21" (533 mm)
- Depth:** 14.50" (368 mm) Vault only
- Depth:** 22" (559 mm) overall

## FEATURES

- 1/4 inch powder coated steel plate body and door
- Medeco key locks
- Internal floor anchors
- Dual anti-fish Drop Chutes to the Storage Vault
- Electronic time-delayed change fund vending (stores up to 88 tubes)
- Alternate vending time delay
- External tube locking bar that prevents unauthorized loading of tubes
- RoHS compliance (Lead-Free)

## OPTIONS

- Armored car instant access key
- Custom colors available

## POWER REQUIREMENTS

120 VAC 60Hz or 220 VAC 50Hz

## WARRANTY

- 1 year parts and 90 days labor (inside the US)
- 1 year parts only (outside the US)



Tidel | 2025 W. Belt Line Rd. #114 | Carrollton, TX 75006  
Tel: 972.484.3358 | 800.678.7577 | sales@tidel.com  
© 2014 Tidel | www.tidel.com